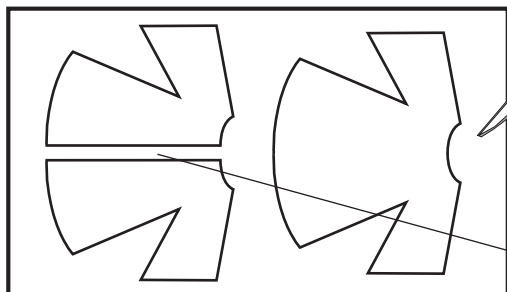




The instructions...

All seam allowances (that is the bit between where you cut, and where you sew) on this kit are 0.5cm and are included within the printed lines. If you meander a bit over this (as I do!) it does not matter too much – you will just end up with a slightly more fitted dress for your dolly. (And she won't mind too much either!) Stitch using at least 5 stitches per centimetre on a machine, and if hand sewing then why not use your thread doubled over for extra strength. This is a project to do with a child when guided by an adult. Watch out for our new felt dresses coming soon which make perfect first sewing projects.

On your marks, get set, CUT!

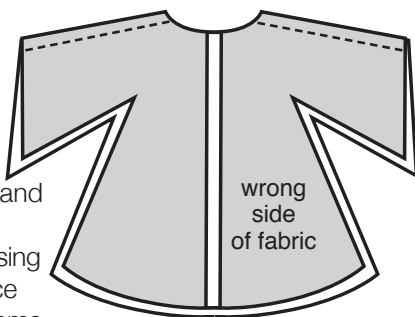


Keep this white strip attached to one side of back

■ Get some nice sharp scissors and cut out the three dress pieces. When cutting out the back sections leave the white strip between them attached to one side or another (it really does not matter which, and also if it is too late and you have already snipped it off, don't worry either!!)

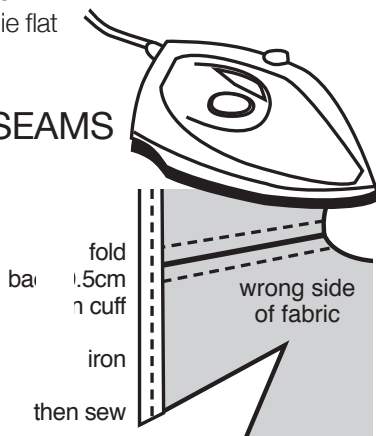
SHOULDERS

■ Right sides together (that is the printed sides) pin along the shoulders and down the arms
 ■ Stitch along this line using a 0.5cm seam allowance
 ■ Press open these seams with a hot iron so that they lie flat



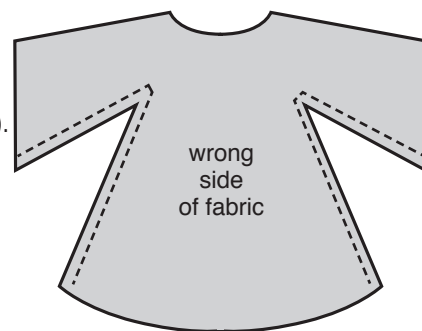
SLEEVES & SIDE SEAMS

■ At the bottom of the sleeves, turn back 0.5cm and press into place. Then stitch to secure
 ■ Right sides together still, pin the dress fronts to the backs along the bottom of the arms and down the side seams.
 ■ Stitch into place



NB. now do the same with the other sleeve

■ Press seams open (a bit tricky at the turn under the arms, but don't worry too much).



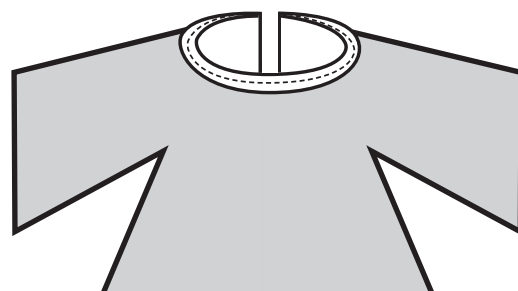
HEM

■ Turn hem up 0.5cm and press firmly for an even length all round.
 ■ Sew into position, then press again if you fancy



NECKLINE

■ Turn over 0.5cm around neck, then iron into place
 ■ Sew around the neckline



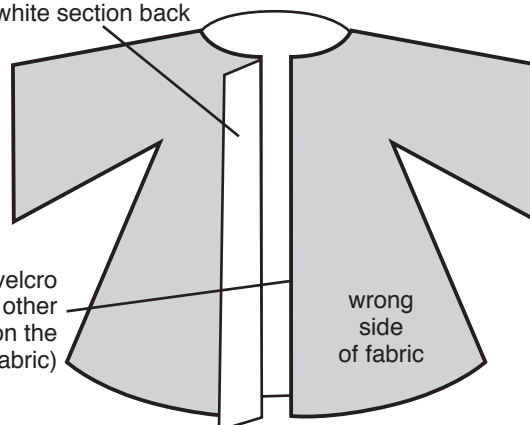
VELCRO

(anyone remember the Bucks Fizz skirt?)

■ Press the white strip back on itself (to the inside of the dress) with an iron
 ■ Sew one side of Velcro vertically down the white strip
 ■ Sew the other side of the Velcro onto the opposing side of the dress (on the right side of the dress)

1. Press this white section back
 2. Sew velcro onto this strip

3. Sew velcro opposite onto other back side (on the right side of fabric)



ADMIRE

■ Ta da!! Put on dolly, and feel proud, very proud...

