

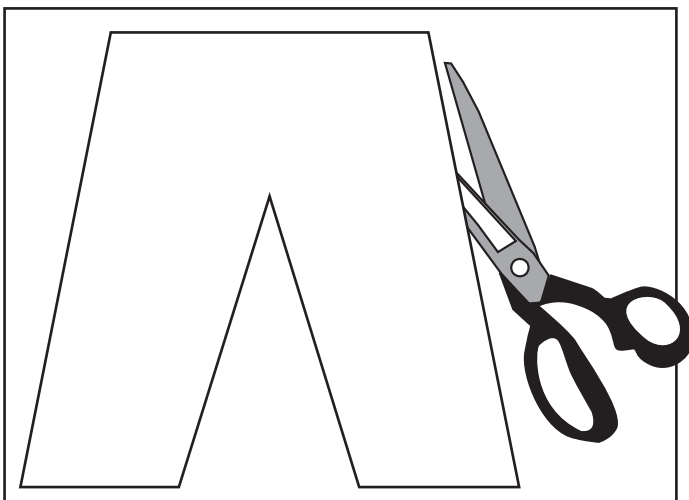


The instructions...

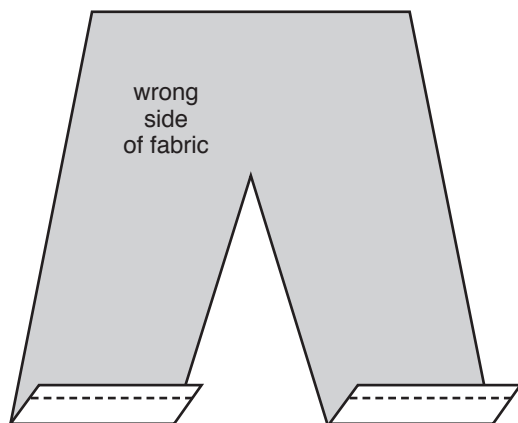
All seam allowances (that is the bit between where you cut, and where you sew) on this kit are 0.5cm and are included within the printed lines. If you meander a bit over this (as I do!) it does not matter too much – you will just end up with a slightly more fitted dress for your dolly. (And she won't mind too much either!) Stitch using at least 5 stitches per centimetre on a machine, and if hand sewing then why not use your thread doubled over for extra strength. This is a project to do with a child when guided by an adult. Watch out for our new felt dresses coming soon which make perfect first sewing projects.

On your marks, get set, CUT!

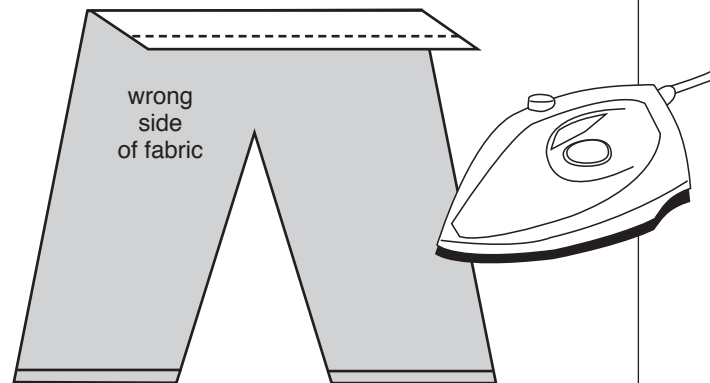
1. Cut out the trousers



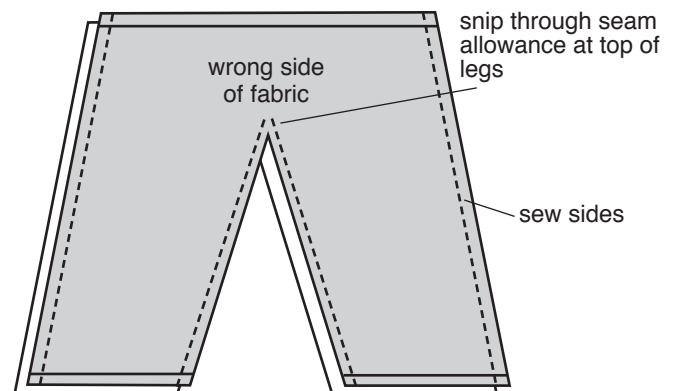
2. Turn up a 0.5cm hem on the bottom of the trousers, pin then sew into place. Repeat with the other four bottoms of the legs.



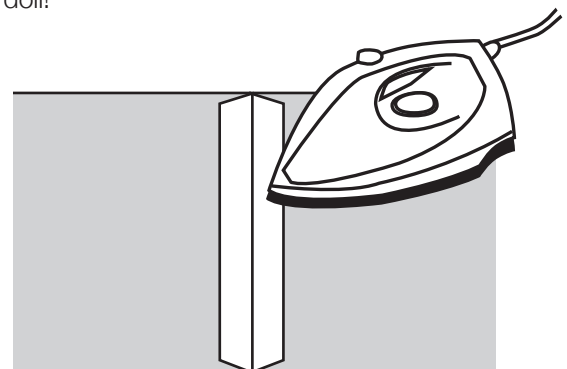
3. Turn down 0.5cm across the top of the front waistband, pin and then sew into place. Repeat with the other side and then press both sections well.



4. Right sides together, and matching up the shapes, pin the front to the back of the trousers. Sew along the inside legs at a 0.5cm seam allowance. Cut two small diagonal slits where the leg stitches meet to avoid the fabric bunching. Be careful not to cut through your stitches though! Then sew up the two outer legs at 0.5cm seam.



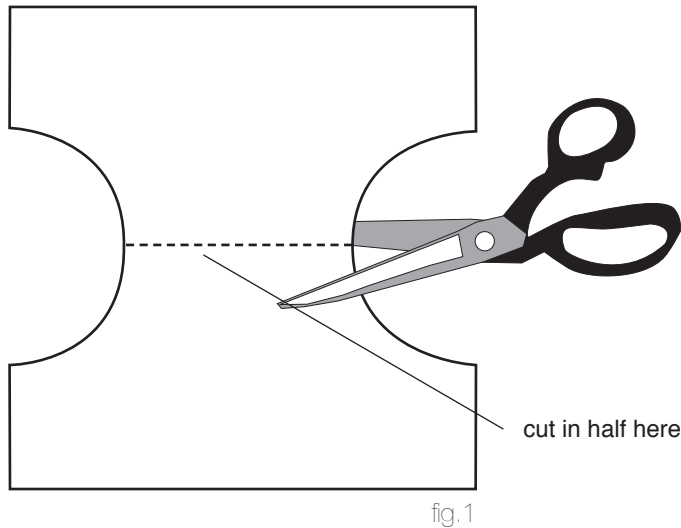
5. Press the seams open, turn through to the right way and put on doll!



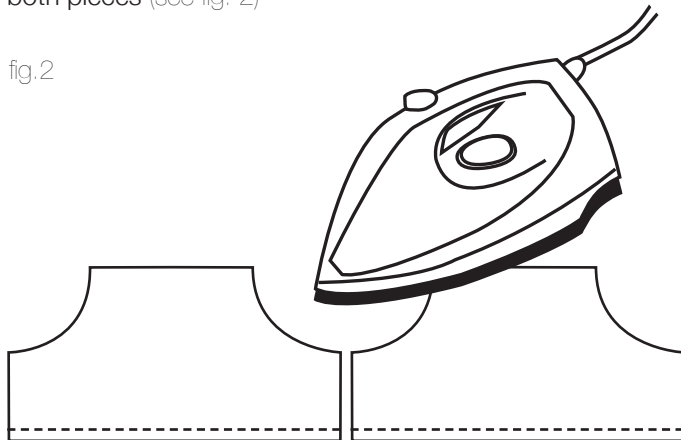


Now for the shorts...

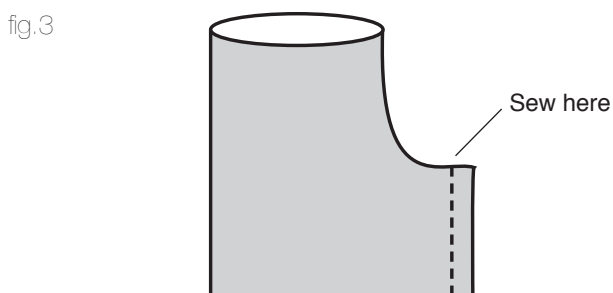
- Cut out the pattern and then cut in half (see fig. 1)



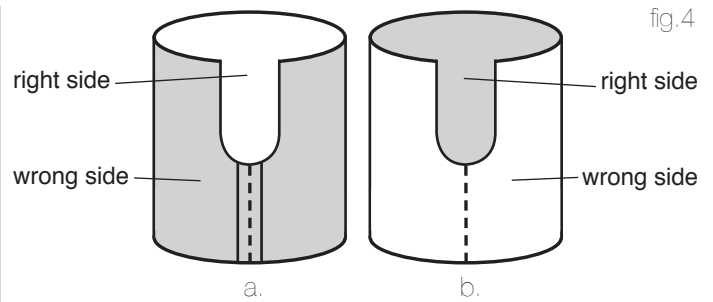
- Iron, pin and then sew a hem on the bottom edge of both pieces (see fig. 2)



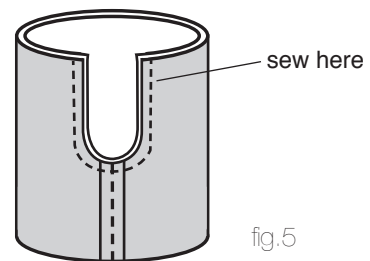
- Take one section and fold in half (right sides together). Now pin and sew the small section (see fig. 3), and then repeat with the other piece and iron both seams open.



- You should now have two partially sown tubes.
- Turn one of the pieces the right way (see fig. 4).

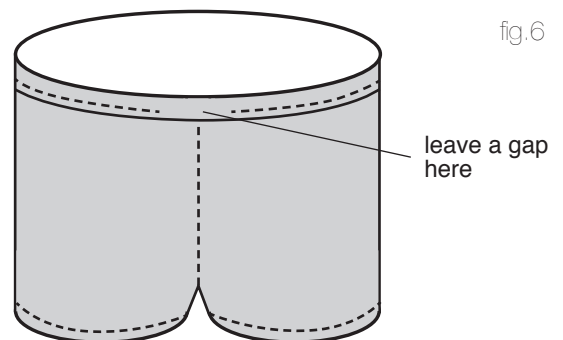


- Place **b** inside of **a**, right sides together (see fig. 5). With seams lined up, pin then sew from the top, around the curve and back to the top, You will have to go slowly on the curve, manipulating the fabric as you go.

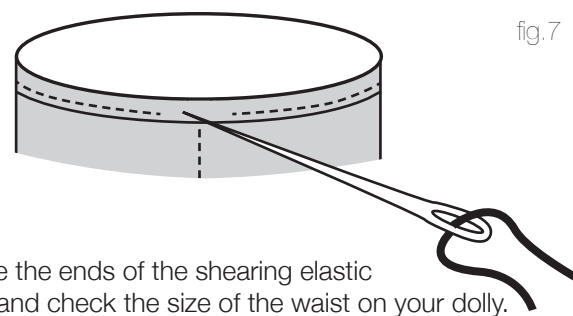


- Now turn through so the shorts are inside out.

- Leaving a gap big enough to accommodate a needle with the shearing elastic threaded, pin, iron and sew a hem at the waist (fig. 6).



- Thread a hand sewing needle with the shearing elastic and push it through the waist hem (make sure the other end of the shearing elastic stays outside of the waistband) (see fig. 7)



- Now tie the ends of the shearing elastic together and check the size of the waist on your dolly.

- Finally, sew up the gap on the waist and admire your lovely matching top and shorts.